



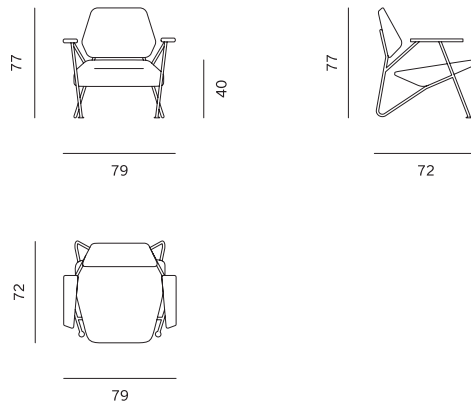
DESIGN: NUMEN / FOR USE

Polygon is an armchair with armrests based on modernistic typology of the seat with modest dimensions which fulfils functional parameters but does not usurp the using space with volume and immobility. The triangles which define orthogonal side view on the armchair transform into hexagons and more complex polygons when changing perspective. The result is the product which seems familiar, even slightly old-fashioned but at the same time extremely contemporary. The construction made of bent round steel rods further emphasizes dual character of Polygon.

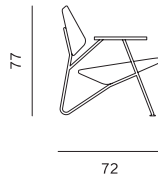
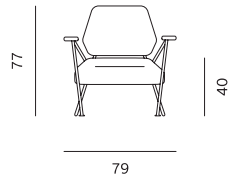
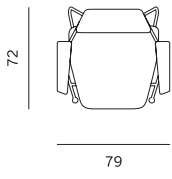
SEAT / SUPPORT	moulded foam, metal frame, elastic belts
BASE	metal tube \varnothing 16 mm
BASE FINISH	powder coated matt / galvanised
ARMREST	solid wood
FINISH	high quality oil / acrylic lacquer
UPHOLSTERY	fabric / leather



INTERIOR INNOVATION AWARD 2014 WINNER
GERMAN DESIGN AWARD 2015 WINNER



ARMCHAIR / FOTELJA



SMALL TABLE / STOLIĆ

